



Ordos Technologies

EMC & Safety Test Laboratory

Test Report No. **Y6VAR139**

FOR:

Company Name : Vest tech USA LLC

Equipment Under Test: Baby blanket.

March 2016

Total number of pages (including this page): 11



Table of Contents.

	Description	Page
1.	<u>General Information</u>	3
2.	<u>EUT. Performance Verification</u>	4
2.1.	<u>Product Description</u>	4
2.2.	<u>Tested Configuration</u>	4
2.3.	<u>List of Equipment used in the tests</u>	4
3.	<u>The global proliferation of wireless radiation is accelerating at an alarming speed</u>	5
4.	<u>Baby blanket Radiation attenuation test procedure</u>	6
5.	<u>Test procedure pictures</u>	7
6.	<u>Description of the Test Site</u>	8
7.	<u>List of Equipment used in Test</u>	9
8.	<u>Test results</u>	10
9.	<u>Conclusion</u>	11



1. General Information.

Applicant:	Vest tech USA LLC
Applicant Address:	32320 Polaris Ave-Suite 20-21 Las-Vegas NV 89102, USA
Telephone:	+1-800-720-9821
E-mail:	contact@vesttech.com
The testing was observed by the following applicant's personnel:	Mr. Geva Segal
Dates of testing:	March 2016
Test Laboratory Location:	SaYdos Ltd / ORDOS Technologies, 10 Zarhin St. Ra'anana Israel, P.O.B 2212
E-Mail:	info@ordos.co.il
Web:	www.ordos.co.il
Equipment Under Test (EUT):	Baby blanket
S/N:	vst118900

2. EUT. Performance Verification

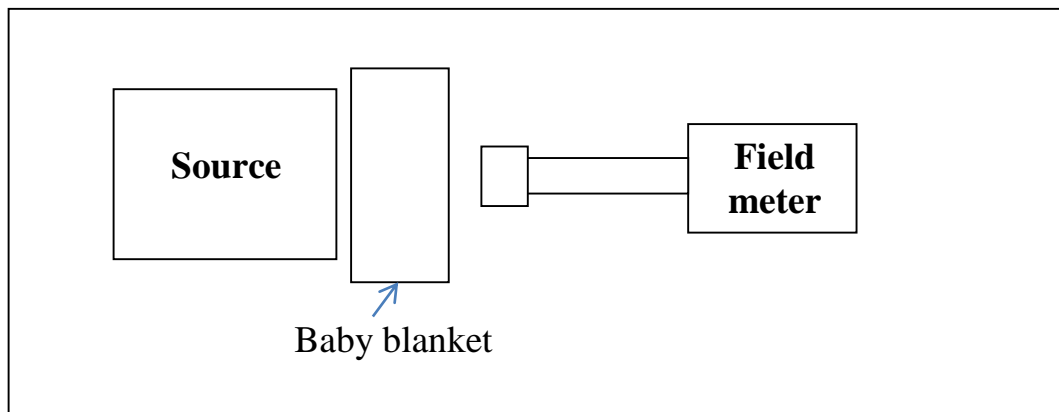
2.1. Product Description.

Vest Anti-Radiation Baby Blanket creates a safe environment for the infant to grow and develop. By minimizing their exposure to everyday radiation, Vest Anti-Radiation Baby Blanket protects the infant from all potentially harmful effects of exposure to electromagnetic radiation at this vulnerable stage of life. How does it work? Vest Anti-Radiation Baby blanket is embedded with metal fiber, successfully minimizing radiation exposure, and 100% cotton providing a baby-soft touch.

Features:

- Reducing radiation exposure by up to 99%
- FCC Certified Laboratories tested and proven
- Baby-soft touch
- 100% cotton

2.2. Tested Configuration.



2.3. List of Equipment used in the tests

No	Description	Model	S.N.	Manufactured by:
Unit Under Test				
1.	EUT	Baby blanket	vst118900	vest tech USA LLC



3. The global proliferation of wireless radiation is accelerating at an alarming speed.

There are growing evidences of health risks from exposure.

Every second of the day, we're constantly bombarded with electromagnetic waves such as those emitted from overhead cables, mobile phones, Laptop ovens, wireless devices, computers exc. The list is endless.

Hardly a month goes by these days without a new study revealing that smart phones are either A) ruining your life, or B) not. The scientific debate is heated, and far from resolved, but one thing is clear: by surrounding yourself with wireless devices with no protection, you may actually be playing Russian roulette with your life.

Every year 10,000 new cases of Glioma are diagnosed in the USA and heavy cell phone users show a 40% increased risk of developing that tumor.

Children are much more susceptible to EMF radiation Research shows that radiation penetrates more deeply into a child's head due to their thinner skulls. In fact, it was found that a child's growing body may absorb up to 10 times the radiation an adult's body absorbs.

Pregnant women are at greater risk - exposure to electromagnetic fields in uterus is correlated with health problems such as ADHD, emotional problems, asthma, obesity and possibly Autism Spectrum Disorders.

So as males who are interested in having kids sometime - Research has shown that cell phone radiation-exposed human sperm die three times faster, swim significantly more poorly, become more deformed, and develop significantly more damage to their DNA.

Countries around the world, as well as the European Parliament, are starting to set stricter EMF safety limits and advising limits and advise limiting radiation exposure for children, pregnant women, the elderly and people with compromised immune systems.

4. Baby blanket Radiation attenuation test procedure

The procedure was determined in accordance with client request

4.1. Home environment frequencies:

- 4.1.1. Establishing test frequencies, in accordance with the Baby blanket purpose.
- 4.1.2. Measure Electro-magnetic field strength in each test frequency.
- 4.1.3. Placing the Baby blanket on its intended place.
- 4.1.4. Measure Electro-magnetic field strength in each test frequency.

4.2. Microwave radiation

- 4.2.1. Measure Electro-magnetic field strength in microwave front side.
- 4.2.2. Placing the Baby blanket on its intended place.
- 4.2.3. Measure Electro-magnetic field strength in microwave front side.

4.3. Laptop radiation

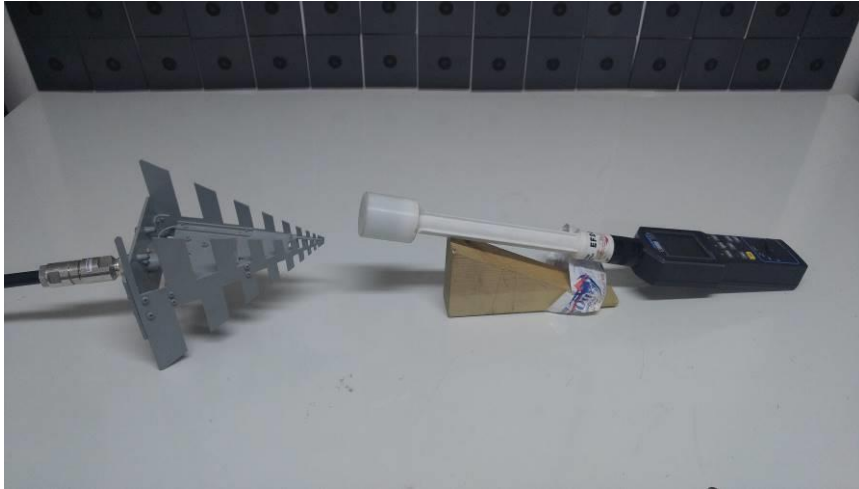
- 4.3.1. Measure Electro-magnetic field strength in laptop Bottom side.
- 4.3.2. Placing the Baby blanket on its intended place.
- 4.3.3. Measure Electro-magnetic field strength in laptop Bottom side.

4.4. Power inlet.

- 4.4.1. Measure Electro-magnetic field strength on power inlet.
- 4.4.2. Placing the Baby blanket on its intended place.
- 4.4.3. Measure Electro-magnetic field strength on power inlet.

5. Test procedure pictures

5.1. Pic #1 – test 4.1 without the Baby blanket



5.2. Pic #2 – test 4.1 with The Baby blanket



5.3. Pic #3 – test 4.2 with The Baby blanket



5.4. Pic #4 – test 4.3 with The Baby blanket



5.5. Pic #5 – test 4.4 with The Baby blanket





6. Description of the Test Site.

Location:		10 Zarchin St. Ra'anana
Phone:		(972)-9-7711018
Fax:		(972)-9-7711019
E-Mail:		info@ordos.co.il
Open Site Ranges:		3 and 10 meter
Turntable:		2.1 x 1.6 meter with maximum loading 1500kg, distant actuation. The turntable and the tested equipment are environmentally protected.
Antenna Mast:		1 to 4 meter
Supply Voltages:		220VAC, 3 Phases, 16A from each phase; 110VAC, 3 Phases, 32A from each phase; up to 50VDC, 30A max
Shielded room:		6.2 X 4.5 X 2.5m semi-anechoic shielded room, including indoor turntable.

7. List of Equipment used in Test.

No.	Description	Manufacturer and Model Number	Series No.	Cal. Date
1.	Electro-magnetic Field meter	Chauvin-Arnoux C.A 43	US4111027	31.7.17



8. Test results.

	Frequency			
	900 MHz	1.8 GHz	2.4 GHz	3.6 GHz
No Cover	83 V/M	79 V/M	68 V/M	65 V/M
With the Baby blanket	1.2 V/M	2.7 V/M	2.7 V/M	1.8 V/M
Attenuation	98%	97%	96%	97%

	Frequency	
	5 GHz	5.7 GHz
No Cover	57 V/M	60V/M
With the Baby blanket	1.5 V/M	1.8 V/M
Attenuation	97%	97%

	<u>Microwave</u>	<u>Laptop</u>	<u>Power inlet</u> <u>230V</u> <u>50Hz</u>
No Cover	13.4 V/M	24 V/M	1.2 V/M
With the Baby blanket	1.7 V/M	0.8 V/M	0.1 V/M
Attenuation	87%	97%	92%



9. Conclusion.

- 9.1.** The electro-magnetic field strength attenuation of the Baby blanket is up to 98%.
- 9.2.** The Standard radiation limit for Home environment is 3 V/M, The Baby blanket attenuation is always lower than the limit.
- 9.3.** The Microwave radiation attenuation of the Baby blanket is up to 87%
- 9.4.** The Laptop radiation attenuation of the Baby blanket is up to 97%
- 9.5.** The power inlet radiation attenuation of the Baby blanket is up to 92%